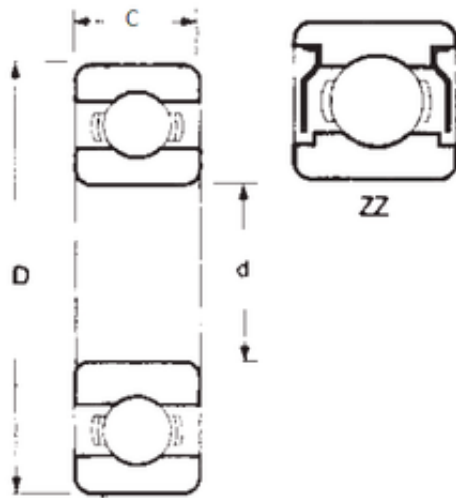




CSC BEARING GROUP limited



12 mm x 28 mm x 7 mm FBJ 16001ZZ Deep ball bearings

Bearing No. 16001ZZ

Size	12x28x7 mm
Bore Diameter	12 mm
Outer Diameter	28 mm
Width	7 mm
d	12 mm
D	28 mm
B	7 mm
C	7 mm
Weight	0,019 Kg
Basic dynamic load rating (C)	5,07 kN
Basic static load rating (C0)	2,36 kN

16001ZZ Bearing 2D drawings and 3D CAD models