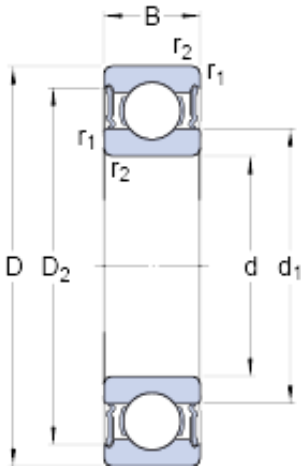




# CSC BEARING GROUP limited



## 35 mm x 44 mm x 5 mm SKF W 61707-2RS1 Deep ball bearings

Bearing No. W 61707-2RS1

W 61707-2RS1 Bearing 2D drawings and 3D CAD models

Size	44x35x5 mm
Bore Diameter	44 mm
Outer Diameter	35 mm
Width	5 mm
d	35 mm
D	44 mm
B	5 mm
d <sub>1</sub>	38 mm
D <sub>2</sub>	42.2 mm
r <sub>1,2</sub> - min.	0.3 mm
d <sub>a</sub> - min.	37 mm
d <sub>a</sub> - max.	37.5 mm
D <sub>a</sub> - max.	42.5 mm
r <sub>a</sub> - max.	0.3 mm
Basic dynamic load rating - C	1.1 kN
Basic static load rating - C <sub>0</sub>	0.915 kN
Fatigue load limit - P <sub>u</sub>	0.039 kN
Limiting speed	8500 r/min
Calculation factor - k <sub>r</sub>	0.015
Calculation factor - f <sub>0</sub>	8.9
d <sub>1</sub>	38 mm
D <sub>2</sub>	42.2 mm
r <sub>1,2</sub> min.	0.3 mm
d <sub>a</sub> min.	37 mm



## CSC BEARING GROUP limited

$d_a$ max.	37.5 mm
$D_a$ max.	42.5 mm
$r_a$ max.	0.3 mm
Basic dynamic load rating C	1.06 kN
Basic static load rating $C_0$	0.915 kN
Fatigue load limit $P_u$	0.039 kN
Calculation factor $k_r$	0.015
Calculation factor $f_0$	8.9
Mass bearing	0.015 kg