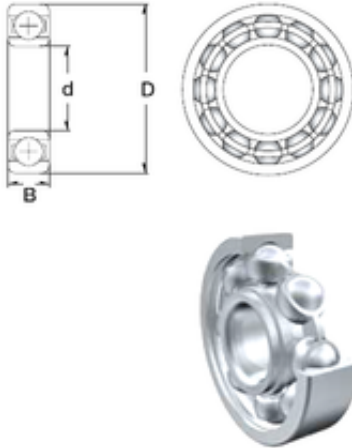




CSC BEARING GROUP limited



140 mm x 190 mm x 24 mm ZEN 61928 Deep ball bearings

Bearing No. 61928

Size	140x190x24 mm
Bore Diameter	140 mm
Outer Diameter	190 mm
Width	24 mm
d	140 mm
D	190 mm
B	24 mm
C	24 mm
Basic dynamic load rating (C)	66,3 kN
Basic static load rating (C0)	72 kN
(Grease) Lubrication Speed	3200 r/min

61928 Bearing 2D drawings and 3D CAD models