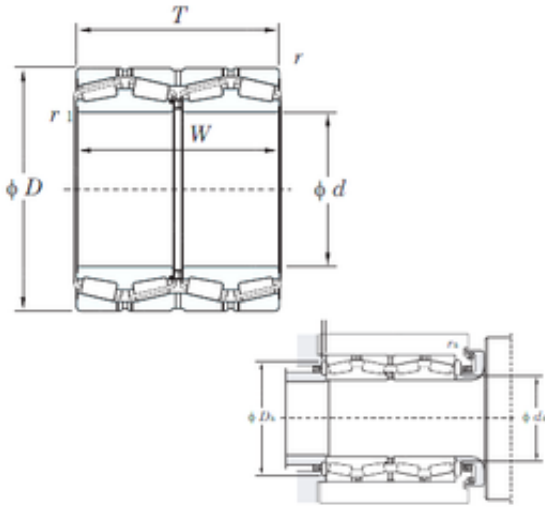




CSC BEARING GROUP limited



KOYO 47248 Double knee bearing

Bearing No. 47248

Size	240x360x194 mm
Bore Diameter	240 mm
Outer Diameter	360 mm
Width	194 mm
d	240 mm
D	360 mm
T	194 mm
r min.	3 mm
r1 min.	4 mm
S	8.5 mm
W	194 mm
da min.	271.7 mm
Da min	327.7 mm
Da max.	346 mm
ra max.	2.5 mm
rb max.	3 mm
Weight	66.5 Kg
Basic dynamic load rating (C)	1830 kN
Basic static load rating (C0)	3580 kN
Calculation factor (e)	2.12
Calculation factor (Y0)	0.32
Bearing No.	47248
r	3
Cr	1970
C0r	3580
Cu	399

47248 Bearing 2D drawings and 3D CAD models



CSC BEARING GROUP limited

r1	4
da(max)	272
Da(max)	346
Da(min)	327
S(min)	8.5
ra(max)	2.5
rb(max)	3
Y2	2.12
Y3	3.15
Y0	2.07
e	0.32
(Refer.)Mass(kg)	66.5