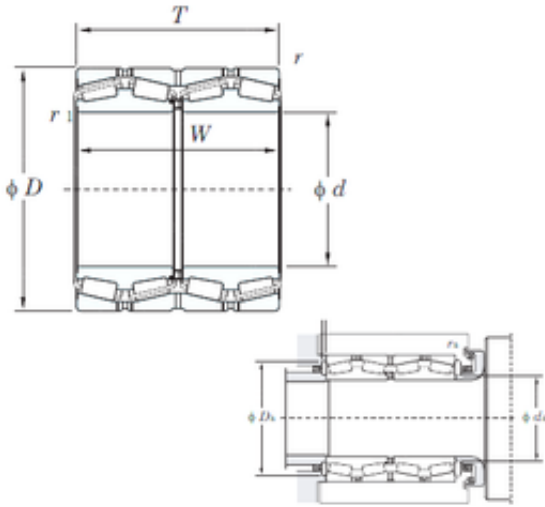




CSC BEARING GROUP limited



KOYO 37232 Double knee bearing

Bearing No. 37232

Size	160x226x165 mm
Bore Diameter	160 mm
Outer Diameter	226 mm
Width	165 mm
d	160 mm
D	226 mm
T	165 mm
r min.	2.5 mm
r1 min.	3 mm
S	6 mm
W	165 mm
da min.	177.3 mm
Da min	204 mm
Da max.	214 mm
ra max.	2 mm
rb max.	2.5 mm
Weight	19.1 Kg
Basic dynamic load rating (C)	873 kN
Basic static load rating (C0)	1870 kN
Calculation factor (e)	2.37
Calculation factor (Y0)	0.28
Bearing No.	37232
r	2.5
Cr	936
C0r	1870
Cu	247

37232 Bearing 2D drawings and 3D CAD models



CSC BEARING GROUP limited

r1	3
da(max)	178
Da(max)	214
Da(min)	204
S(min)	6
ra(max)	2
rb(max)	2.5
Y2	2.37
Y3	3.53
Y0	2.32
e	0.28
(Refer.)Mass(kg)	20.1