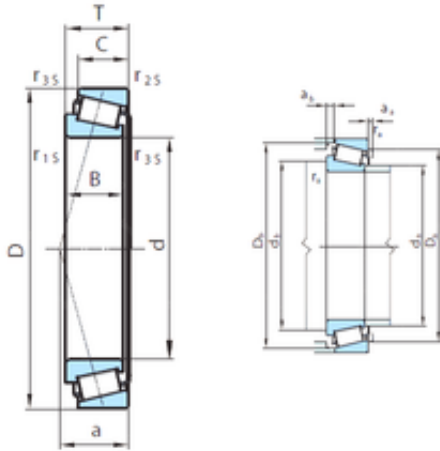




CSC BEARING GROUP limited

215,9 mm x 285,75 mm x 46,038 mm PSL PSL 611-316 Double knee bearing



Bearing No. PSL 611-316

Size	215.9x285.75x46.038 mm
Bore Diameter	215,9 mm
Outer Diameter	285,75 mm
Width	46,038 mm
d	215,9 mm
D	285,75 mm
T	46,038 mm
B	46,038 mm
C	34,925 mm
a	60 mm
r min.	3,6 mm
r2 min.	3,3 mm
r3 min.	0,4 mm
da max	227 mm
Da min	260 mm
Da max.	266 mm
db min	233 mm
Db min.	279 mm
ra max.	3 mm
Weight	7,8 Kg
Basic dynamic load rating (C)	381 kN
Basic static load rating (C0)	850 kN
(Grease) Lubrication Speed	980 r/min
(Oil) Lubrication Speed	1390 r/min
Calculation factor (e)	0,48

PSL 611-316 Bearing 2D drawings and 3D CAD models



CSC BEARING GROUP limited

Calculation factor (Y)	1,25
------------------------	------