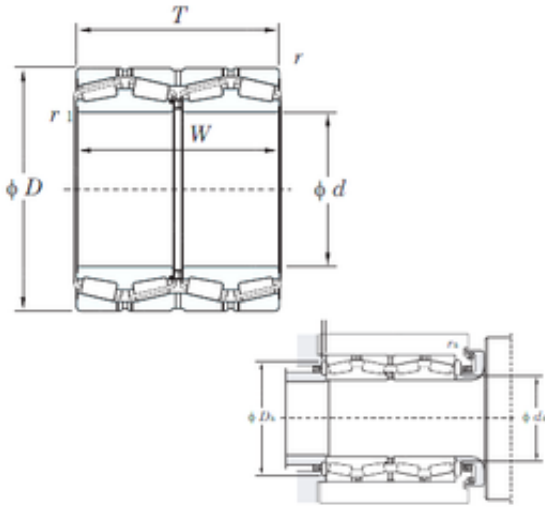




# CSC BEARING GROUP limited



## KOYO 47276 Double knee bearing

Bearing No. 47276

Size	380x560x282 mm
Bore Diameter	380 mm
Outer Diameter	560 mm
Width	282 mm
d	380 mm
D	560 mm
T	282 mm
r min.	5 mm
r1 min.	6 mm
S	9.5 mm
W	282 mm
da min.	428.5 mm
Da min	511 mm
Da max.	538 mm
ra max.	4 mm
rb max.	5 mm
Weight	229 Kg
Basic dynamic load rating (C)	3670 kN
Basic static load rating (C0)	7580 kN
Calculation factor (e)	2.47
Calculation factor (Y0)	0.27
Bearing No.	47276
r	5
Cr	3940
C0r	7580
Cu	741

47276 Bearing 2D drawings and 3D CAD models



## CSC BEARING GROUP limited

r1	6
da(max)	429
Da(max)	538
Da(min)	511
S(min)	9
ra(max)	4
rb(max)	5
Y2	2.47
Y3	3.67
Y0	2.41
e	0.27
(Refer.)Mass(kg)	232