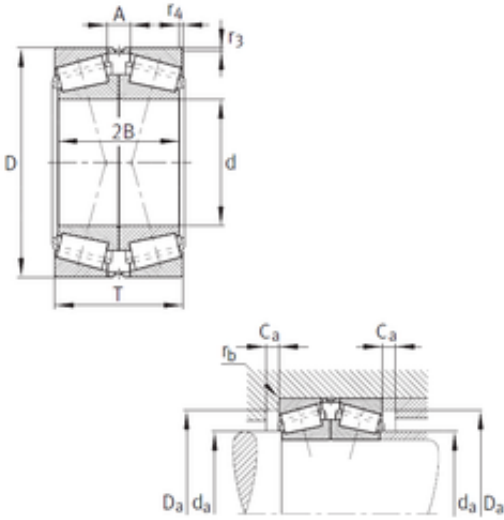




CSC BEARING GROUP limited



FAG 32234-A-N11CA-A300-380 Double knee bearing

Bearing No. 32234-A-N11CA-A300-380

32234-A-N11CA-A300-380 Bearing 2D drawings and 3D CAD models

Size	170x310x182 mm
Bore Diameter	170 mm
Outer Diameter	310 mm
Width	182 mm
d	170 mm
D	310 mm
T	182 mm
r3 min.	4 mm
r4 min.	4 mm
2B	172 mm
A	40 mm
Ca max.	10 mm
da max	196 mm
Da min	259 mm
Da max.	292 mm
rb max.	4 mm
Weight	59,4 Kg
Basic dynamic load rating (C)	1680 kN
Basic static load rating (C0)	3100 kN
Fatigue load limit (Pu)	360
Reference speed	1 050 r/min
Limiting speed	2 240 r/min
Calculation factor (e)	0,44
Calculation factor (Y0)	1,52
Calculation factor (Y1)	1,55



CSC BEARING GROUP limited