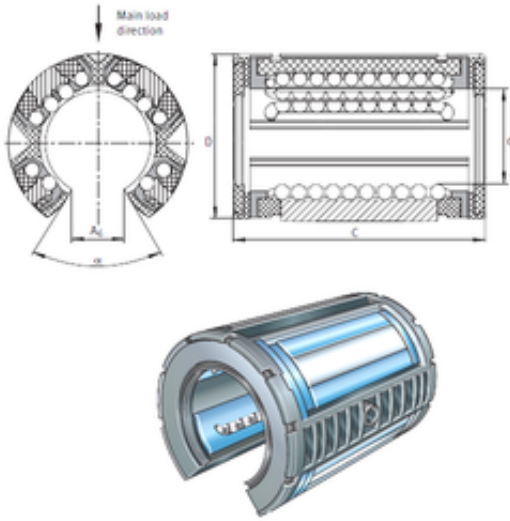




CSC BEARING GROUP limited



INA KSO20 Linear bearing

Bearing No. KSO20

Size	20x32x45 mm
Bore Diameter	20 mm
Outer Diameter	32 mm
Width	45 mm
d	20 mm
D	32 mm
C	45 mm
A6	10 mm
K4	3 mm
K1	3 mm
Angle (?)	60 °
Weight	0,038 Kg
Basic dynamic load rating (C)	2,2 kN

KSO20 Bearing 2D drawings and 3D CAD models