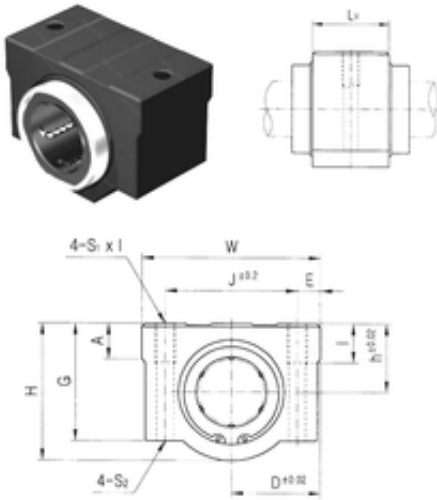




CSC BEARING GROUP limited



Samick SCE12VUU Linear bearing

Bearing No. SCE12VUU

| | |
|-------------------------------|----------|
| Bore Diameter | 12 mm |
| d | 12 mm |
| h | 15 mm |
| A | 8 mm |
| D | 22 mm |
| E | 5,5 mm |
| G | 24,5 mm |
| H | 30 mm |
| J | 33 mm |
| L | 20,3 mm |
| S1x | M5 |
| S2 | 4,3 mm |
| W | 44 mm |
| Weight | 0,082 Kg |
| Basic dynamic load rating (C) | 0,41 kN |

SCE12VUU Bearing 2D drawings and 3D CAD models