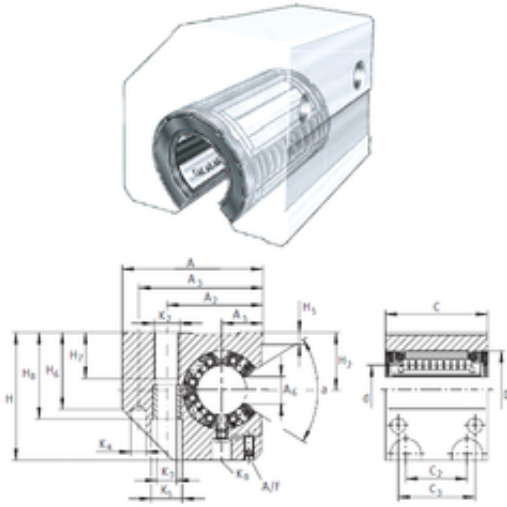




CSC BEARING GROUP limited

INA KGSCS50-PP-AS Linear bearing

Bearing No. KGSCS50-PP-AS



KGSCS50-PP-AS Bearing 2D drawings and 3D CAD models

Bore Diameter	50 mm
d	50 mm
A6	22,7 mm
A/F	5 mm
H5	8,6 mm
H6	70 mm
H7	36 mm
H8	78,8 mm
K3	17,5 mm
K4	12 mm
K5	26 mm
Thread (K2)	M20
Thread (K8)	NIP 6 MZ
A5	38 mm
C3	80 mm
Angle (?)	54 °
A	127 mm
C	100 mm
D	75 mm
H	115 mm
H2	50 mm
A2	88 mm
A3	109 mm
C2	62 mm
Weight	2,9 Kg
Basic dynamic load rating (C)	15,1 kN



CSC BEARING GROUP limited