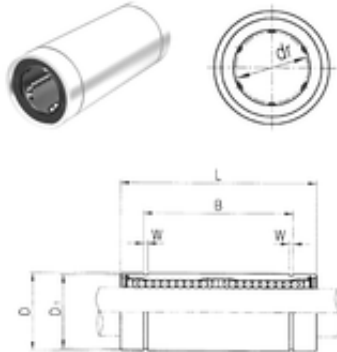




CSC BEARING GROUP limited

13 mm x 23 mm x 46 mm Samick LM13L Linear bearing



Bearing No. LM13L

Size	13x23x46 mm
Bore Diameter	13 mm
Outer Diameter	23 mm
Width	46 mm
d	13 mm
D	23 mm
B	46 mm
D1	22 mm
L	61 mm
W	1,3 mm
Weight	0,09 Kg
Basic dynamic load rating (C)	0,81 kN

LM13L Bearing 2D drawings and 3D CAD models