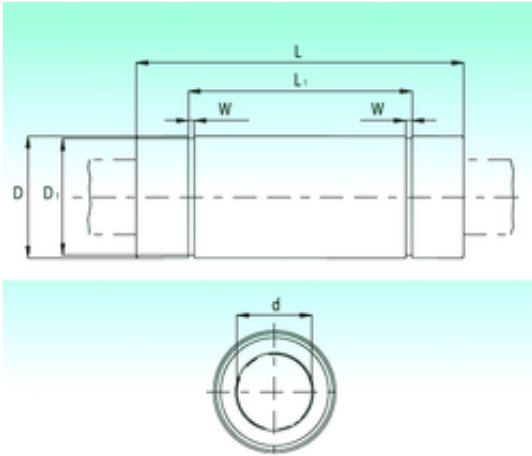




CSC BEARING GROUP limited



NBS KBL2080-PP Linear bearing

Bearing No. KBL2080-PP

Bore Diameter	20 mm
Outer Diameter	32 mm
d	20 mm
D	32 mm
D1	30,5 mm
L1	61 mm
W	1,6 mm
L	80 mm
Weight	0,18 Kg
Basic dynamic load rating (C)	1,4 kN

KBL2080-PP Bearing 2D drawings and 3D CAD models