

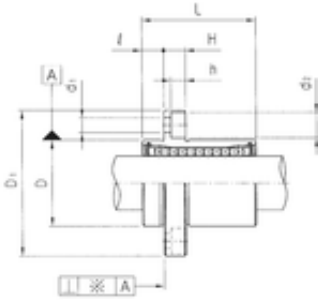


CSC BEARING GROUP limited



Samick LMFP16UU Linear bearing

Bearing No. LMFP16UU



LMFP16UU Bearing 2D drawings and 3D CAD models

Bore Diameter	16 mm
Outer Diameter	28 mm
d	16 mm
D	28 mm
d1	4,5 mm
d2	8 mm
h	4,4 mm
D1	48 mm
H	6 mm
L	37 mm
PCD	38 mm
	6 Tolerance h14
Tolerance perpendicularity (C)	12
Weight	0,134 Kg
Basic dynamic load rating (C)	0,77 kN