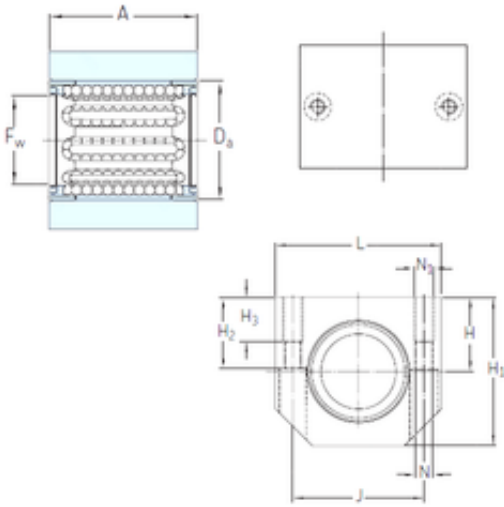




CSC BEARING GROUP limited



SKF LUHR 40-2LS Linear bearing

Bearing No. LUHR 40-2LS

Bore Diameter	40 mm
Fw	40 mm
H3	22 mm
Da	52 mm
A	60 mm
H	39 mm
H1	76 mm
H2	38 mm
J	69 mm
L	87 mm
N	8,4 mm
Thread (N1)	M10
Weight	0,74 Kg
Basic dynamic load rating (C)	5,5 kN

LUHR 40-2LS Bearing 2D drawings and 3D CAD models