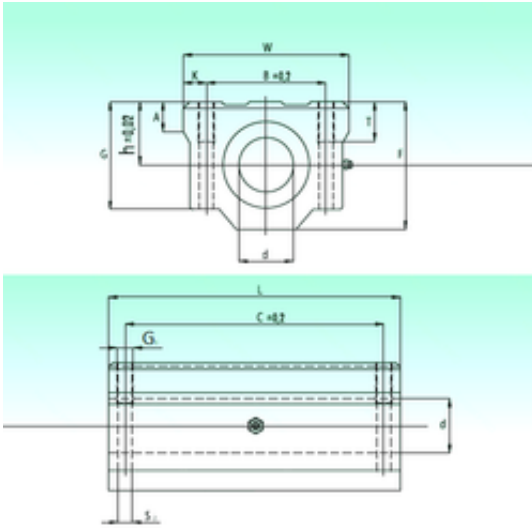




CSC BEARING GROUP limited



SCW 12-UU Bearing 2D drawings and 3D CAD models

NBS SCW 12-UU Linear bearing

Bearing No. SCW 12-UU

| | |
|-------------------------------|----------|
| Bore Diameter | 12 mm |
| d | 12 mm |
| Thread (G1) | M5 |
| h | 15 mm |
| A | 8 mm |
| B | 33 mm |
| C | 64 mm |
| F | 30 mm |
| G | 26 mm |
| K | 5,5 mm |
| L | 77 mm |
| S2 | 4,3 mm |
| T | 10 mm |
| W | 44 mm |
| Weight | 0,205 Kg |
| Basic dynamic load rating (C) | 0,67 kN |