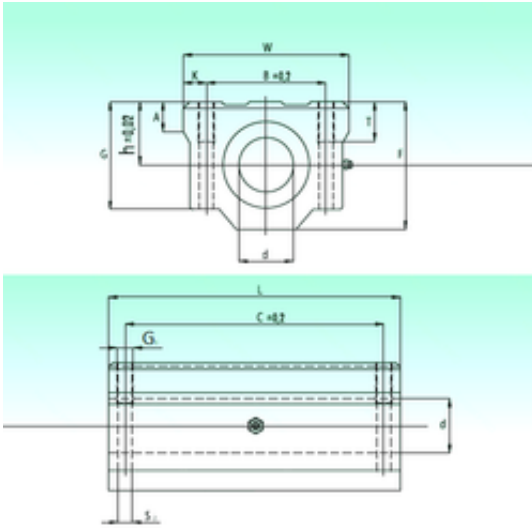




CSC BEARING GROUP limited



SCW 40 AS Bearing 2D drawings and 3D CAD models

NBS SCW 40 AS Linear bearing

Bearing No. SCW 40 AS

Bore Diameter	40 mm
d	40 mm
Thread (G1)	M10
h	40 mm
A	20 mm
B	80 mm
C	150 mm
F	78 mm
G	62 mm
K	11 mm
L	180 mm
S2	8,6 mm
T	25 mm
W	102 mm
Weight	3,2 Kg
Basic dynamic load rating (C)	3,5 kN