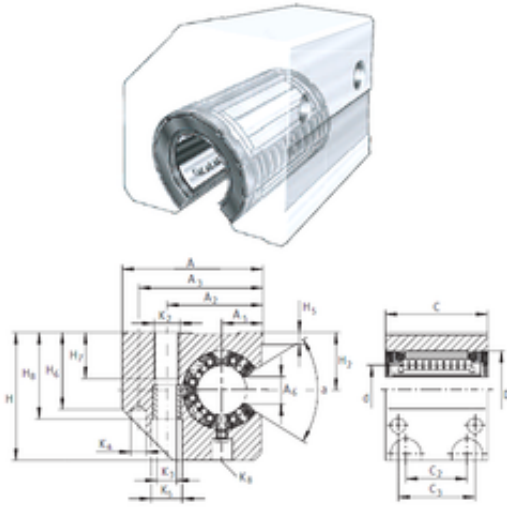




CSC BEARING GROUP limited

INA KGSC25-PP-AS Linear bearing

Bearing No. KGSC25-PP-AS



KGSC25-PP-AS Bearing 2D drawings and 3D CAD models

Bore Diameter	25 mm
d	25 mm
A6	12 mm
H5	8,2 mm
H6	45 mm
H7	22 mm
H8	50,6 mm
K3	10,5 mm
K4	8 mm
K5	18 mm
Thread (K2)	M12
Thread (K8)	NIP 5 MZ
A5	21 mm
C3	45 mm
Angle (?)	57 °
A	75 mm
C	58 mm
D	40 mm
H	72 mm
H2	35 mm
A2	49 mm
A3	64 mm
C2	36 mm
Weight	0,68 Kg
Basic dynamic load rating (C)	3,95 kN