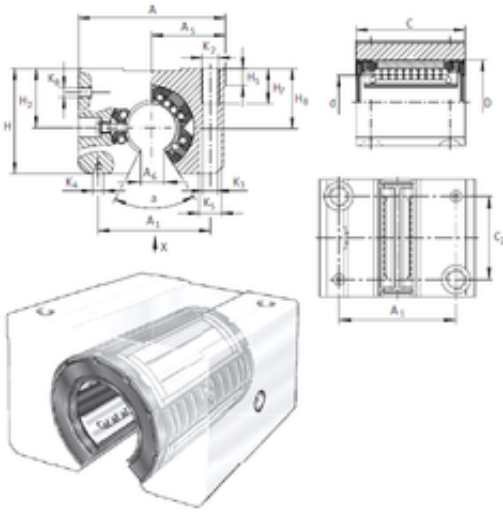




CSC BEARING GROUP limited

INA KGSNO20-PP-AS Linear bearing

Bearing No. KGSNO20-PP-AS



KGSNO20-PP-AS Bearing 2D drawings and 3D CAD models

Bore Diameter	20 mm
Outer Diameter	32 mm
d	20 mm
D	32 mm
A6	9,2 mm
H5	8 mm
H7	18 mm
H8	24 mm
K2	6,6 mm
K3	2 mm
K4	X4,25
K5	11 mm
Thread (K2)	M8
Thread (K8)	NIP 4 MZ
A5	30 mm
Angle (?)	55 °
A	60 mm
A1	45 mm
C	45 mm
H	42 mm
H2	25 mm
C2	32 mm
Weight	0,25 Kg
Basic dynamic load rating (C)	2,2 kN