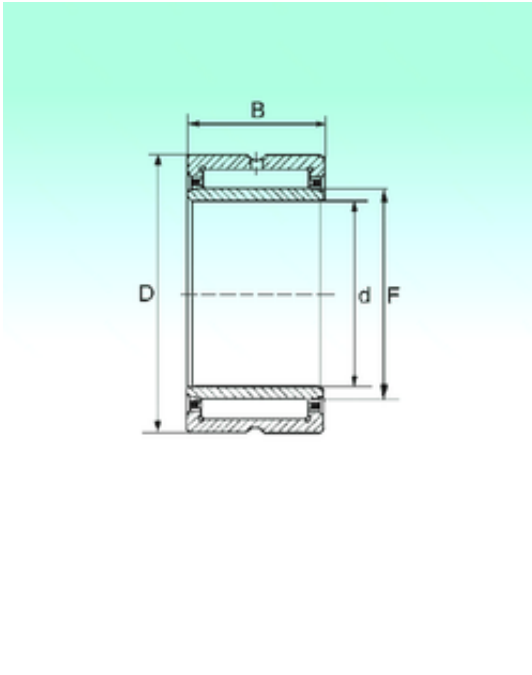




CSC BEARING GROUP limited



NKI 100/30 Bearing 2D drawings and 3D CAD models

NBS NKI 100/30 Needle bearing

Bearing No. NKI 100/30

Size	100x130x30 mm
Bore Diameter	100 mm
Outer Diameter	130 mm
Width	30 mm
d	100 mm
Fw	110 mm
D	130 mm
C	30 mm
Weight	0,99 Kg
Basic dynamic load rating (C)	97 kN
Basic static load rating (C0)	200 kN