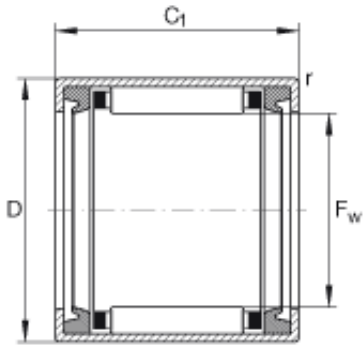




CSC BEARING GROUP limited



INA HK3520-2RS Needle bearing

Bearing No. HK3520-2RS

HK3520-2RS Bearing 2D drawings and 3D CAD models

Size	35x42x20 mm
Bore Diameter	35 mm
Outer Diameter	42 mm
Width	20 mm
F_w	35 mm
D	42 mm
C_1 - 20 mm / Tolerance: -0,3	20 mm / Tolerance: 0,3
r_{min}	0,8 mm
m	41 g / Weight
C_r	18700 N / Dynamic load rating (radial)
C_{0r}	33500 N / Static load rating (radial)
C_{ur}	4400 N / Fatigue limit load, radial
$n_{G\text{ Fett}}$	5000 1/min / Limiting speed for grease lubrication
	LR30X35X20,5 / Suitable inner ring
	IR30X35X20,5 / Suitable inner ring
Category	Needle Non Thrust Roller Bearings
Inventory	2.0
Manufacturer Name	SCHAEFFLER GROUP
Minimum Buy Quantity	N/A
Weight / Kilogram	0.05



CSC BEARING GROUP limited

Product Group	B04144
Rolling Element	Needle Roller Bearing
Component	Roller Assembly with Outer Ring - No Inner Ring
Enclosure	2 Seals
Self Aligning	No
Retainer	Yes
Number of Rows of Rollers	Single Row
Separable	No
Closed End	No
Inch - Metric	Metric
Relubricatable	No
Thrust Bearing	No
Long Description	35MM Bore; 42MM Outside Diameter; 20MM Width; Needle Roller Bearing; Roller Assembly with Outer Ring - No Inner Ring; 2 Seals Enclosure; No Self Aligning; Retainer; Single Row of Rollers; No Separable
Other Features	2 Rib Outer Ring Drawn Cup Bearing Steel Cage
Category	Needle Non Thrust Roller Bearing
UNSPSC	31171512
Harmonized Tariff Code	8482.40.00.00
Noun	Bearing
Keyword String	Needle
Manufacturer URL	http://www.ina.com
Manufacturer Item Number	HK35202RS
Weight / LBS	0.09
Bore	1.378 Inch 35 Millimeter
Outside Diameter	1.654 Inch 42 Millimeter
Width	0.787 Inch 20 Millimeter



CSC BEARING GROUP limited