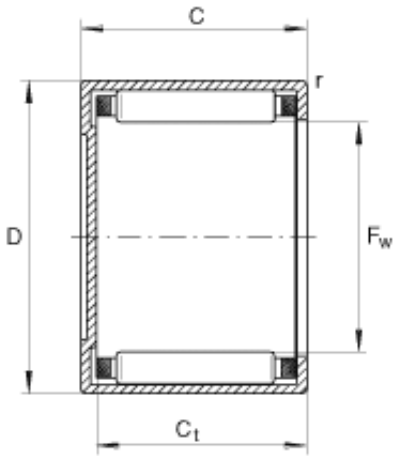




CSC BEARING GROUP limited



INA BK1512 Needle bearing

Bearing No. BK1512

BK1512 Bearing 2D drawings and 3D CAD models

Size	15x21x12 mm
Bore Diameter	15 mm
Outer Diameter	21 mm
Width	12 mm
F_w	15 mm
D	21 mm
C - 12 mm / Tolerance: -0,3	12 mm / Tolerance: 0,3
C_{tmin}	9,3 mm
r_{min}	0,8 mm
m	13 g / Weight
C_r	7900 N / Dynamic load rating (radial)
C_{0r}	9400 N / Static load rating (radial)
C_{ur}	1150 N / Fatigue limit load, radial
n_G	16300 1/min / Limiting speed
n_B	11400 1/min / Reference speed
	LR12X15X12,5 / Suitable inner ring
	IR12X15X12,5 / Suitable inner ring
Category	Needle Non Thrust Roller Bearings
Inventory	0.0
Manufacturer Name	SCHAEFFLER GROUP



CSC BEARING GROUP limited

Minimum Buy Quantity	N/A
Weight / Kilogram	0.01
Product Group	B04144
Rolling Element	Needle Roller Bearing
Component	Roller Assembly with Outer Ring - No Inner Ring
Enclosure	Open
Self Aligning	No
Retainer	Yes
Number of Rows of Rollers	Single Row
Separable	No
Closed End	Yes
Inch - Metric	Metric
Relubricatable	No
Thrust Bearing	No
Long Description	15MM Bore; 21MM Outside Diameter; 12MM Width; Needle Roller Bearing; Roller Assembly with Outer Ring - No Inner Ring; Open Enclosure; No Self Aligning; Retainer; Single Row of Rollers; No Separable; C
Other Features	1 Rib Outer Ring Drawn Cup Bearing Steel Cage
Category	Needle Non Thrust Roller Bearing
UNSPSC	31171512
Harmonized Tariff Code	8482.40.00.00
Noun	Bearing
Keyword String	Needle
Manufacturer URL	http://www.ina.com
Manufacturer Item Number	BK1512
Weight / LBS	0.024
Width	0.472 Inch 12 Millimeter



CSC BEARING GROUP limited

Outside Diameter	0.827 Inch 21 Millimeter
Bore	0.591 Inch 15 Millimeter