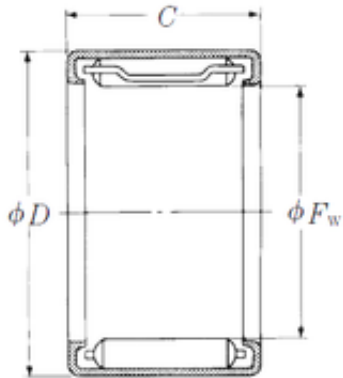




# CSC BEARING GROUP limited

## NSK FJL-4015L Needle bearing



Bearing No. FJL-4015L

Size	40x50x15 mm
Bore Diameter	40 mm
Outer Diameter	50 mm
Width	15 mm
Fw	40 mm
D	50 mm
C	15 mm
Weight	0,05 Kg
Basic dynamic load rating (C)	19,9 kN

FJL-4015L Bearing 2D drawings and 3D CAD models