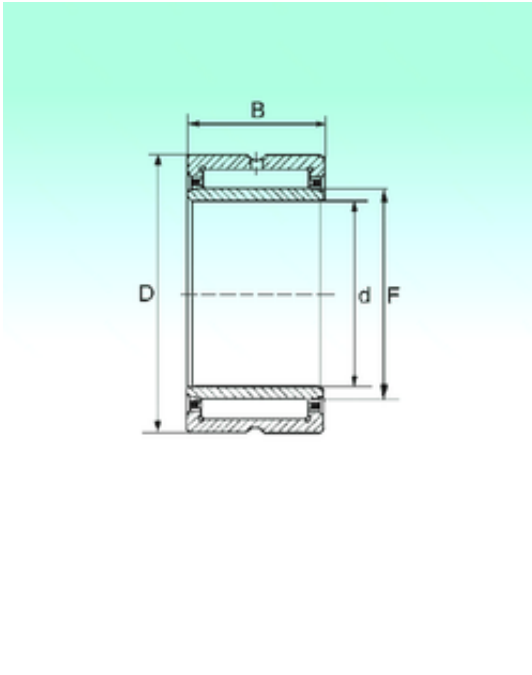




CSC BEARING GROUP limited



NA 4836 Bearing 2D drawings and 3D CAD models

NBS NA 4836 Needle bearing

Bearing No. NA 4836

Size	180x225x45 mm
Bore Diameter	180 mm
Outer Diameter	225 mm
Width	45 mm
d	180 mm
Fw	195 mm
D	225 mm
C	45 mm
Weight	4,2 Kg
Basic dynamic load rating (C)	191 kN
Basic static load rating (C0)	560 kN