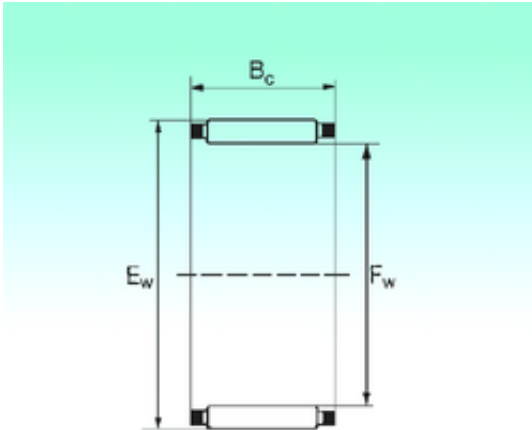




## CSC BEARING GROUP limited



### NBS K 26x31x13 Needle bearing

Bearing No. K 26x31x13

Bore Diameter	26 mm
Outer Diameter	31 mm
Fw	26 mm
Ew	31 mm
Bc	13 mm
Weight	0,0099 Kg
Basic dynamic load rating (C)	12,4 kN
Basic static load rating (C0)	18,4 kN

K 26x31x13 Bearing 2D drawings and 3D CAD models