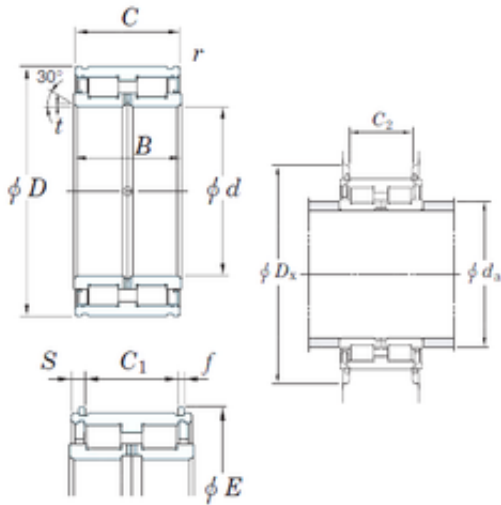




# CSC BEARING GROUP limited

80 mm x 125 mm x 60 mm KOYO DC5016NR roller bearing

Bearing No. DC5016NR



DC5016NR Bearing 2D drawings and 3D CAD models

|                               |              |
|-------------------------------|--------------|
| Size                          | 80x125x60 mm |
| Bore Diameter                 | 80 mm        |
| Outer Diameter                | 125 mm       |
| Width                         | 60 mm        |
| d                             | 80 mm        |
| D                             | 125 mm       |
| B                             | 60 mm        |
| C                             | 59 mm        |
| t                             | 1,2 mm       |
| f                             | 2,5 mm       |
| r min.                        | 0,6 mm       |
| C1                            | 48 mm        |
| E                             | 129,5 mm     |
| S                             | 5,5 mm       |
| Ca                            | 48 mm        |
| da min.                       | 88 mm        |
| Da min                        | 146 mm       |
| Weight                        | 2,65 Kg      |
| Basic dynamic load rating (C) | 250 kN       |
| Bearing No.                   | DC5016NR     |
| r(min)                        | 0.6          |
| Cr                            | 250          |
| C0r                           | 429          |
| da(min)                       | 88           |
| Dx(min)                       | 146          |



## CSC BEARING GROUP limited

|                   |      |
|-------------------|------|
| C2                | 48   |
| (Refer.) Mass(kg) | 2.65 |