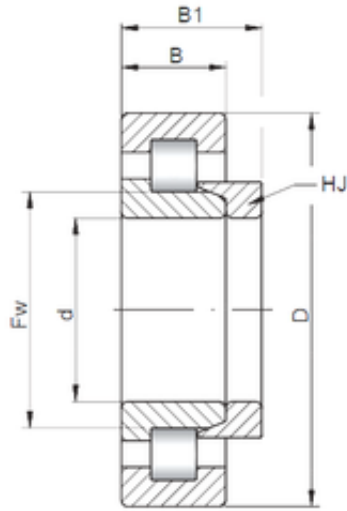




# CSC BEARING GROUP limited



190 mm x 400 mm x 132 mm ISO NH2338  
roller bearing

Bearing No. NH2338

Dimensione	190x400x132 mm
Marchio	ISO
Diametro del foro	190 mm
Diametro esterno	400 mm
Larghezza	132 mm
d	190 mm
D	400 mm
B	132 mm
C	132 mm
B1	18 mm
B2	36,5 mm

NH2338 Bearing 2D drawings and 3D CAD models