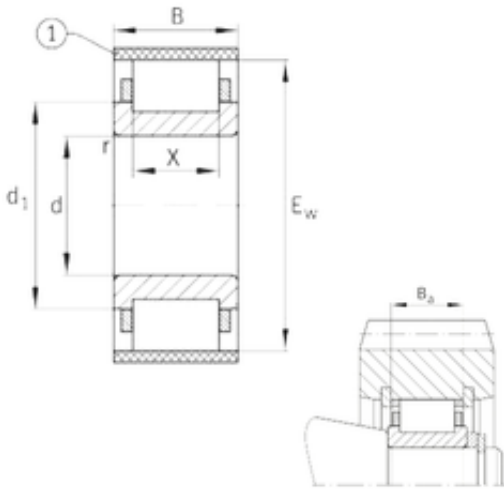




CSC BEARING GROUP limited

FAG RN2224-E-MPBX roller bearing

Bearing No. RN2224-E-MPBX



RN2224-E-MPBX Bearing 2D drawings and 3D CAD models

Size	120x195.5x58 mm
Bore Diameter	120 mm
Outer Diameter	195,5 mm
Width	58 mm
d	120 mm
Ew	195,5 mm
B	58 mm
Ba	54,7 mm
X	40 mm
d1	153,2 mm
r min.	2,1 mm
Weight	6,52 Kg
Basic dynamic load rating (C)	530 kN
Basic static load rating (C0)	610 kN