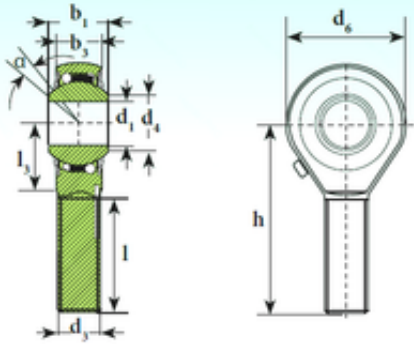




CSC BEARING GROUP limited

ISB TSM 30 BB-O Self aligning ball bearing

Bearing No. TSM 30 BB-O



TSM 30 BB-O Bearing 2D drawings and 3D CAD models

Bore Diameter	30 mm
d1	30 mm
l	66 mm
b1	37 mm
d4	34,5 mm
d6	70 mm
h	110 mm
l3 min.	35 mm
B3	25 mm
Thread (G)	M30x2
Angle	7,5 °
Weight	0,922 Kg
Basic dynamic load rating (C)	14,15 kN
Basic static load rating (C0)	7,45 kN
Limiting speed	450 r/min
Calculation factor (Y)	2,24