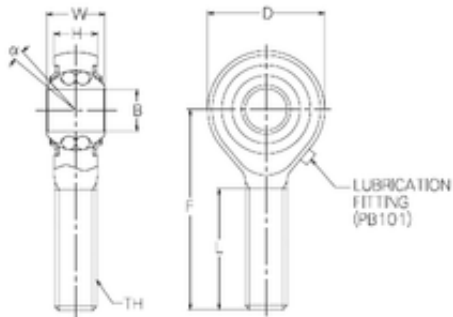




CSC BEARING GROUP limited

25 mm x 64 mm x 25 mm NMB PBR25EFN Self aligning ball bearing



Bearing No. PBR25EFN

Bore Diameter	25 mm
d	25 mm
B	25 mm
D	64 mm
F	94 mm
H	22 mm
L	57 mm
W	31 mm
Angle	5 °
Thread (TH)	M24 × 2,0
Weight	0,572 Kg
Basic dynamic load rating (C)	11,03 kN

PBR25EFN Bearing 2D drawings and 3D CAD models