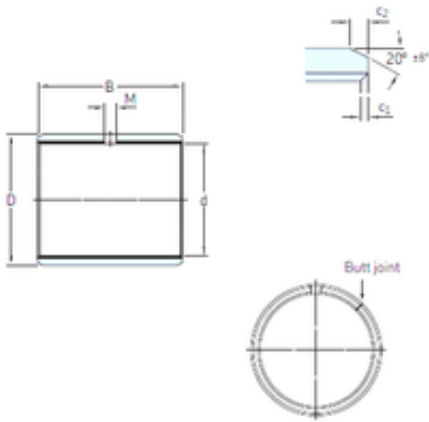




CSC BEARING GROUP limited

60 mm x 65 mm x 70 mm SKF PCM 606570 M sliding bearing



Bearing No. PCM 606570 M

| | |
|-------------------------------|----------------|
| Size | 60x65x70 mm |
| Bore Diameter | 60 mm |
| Outer Diameter | 65 mm |
| Width | 70 mm |
| d | 60 mm |
| D | 65 mm |
| B | 70 mm |
| c1 min | 0,2 mm |
| c2 min | 1,2 mm |
| M | 6 mm |
| Weight | 0,24 Kg |
| Basic dynamic load rating (C) | 500 kN |
| Category | Plain Bearings |
| Inventory | 0.0 |
| Manufacturer Name | SKF |
| Minimum Buy Quantity | N/A |
| Weight / Kilogram | 0.245 |
| EAN | 7316571373393 |
| Product Group | B04264 |
| c ₁ min. | 0.2 mm |
| c ₁ max. | 1 mm |
| c ₂ min. | 1.2 mm |
| c ₂ max. | 2.4 mm |
| ± 8 | 20 ° |
| Tolerance shaft | h8 |

PCM 606570 M Bearing 2D drawings and 3D CAD models



CSC BEARING GROUP limited

| | |
|---|-----------------------|
| Tolerance housing | H7 |
| Basic dynamic load rating - radial direction C | 500 kN |
| Basic static load rating - radial direction C_0 | 1040 kN |
| Specific dynamic load factor K | 120 N/mm ² |
| Specific static load factor K_0 | 250 N/mm ² |
| Factor depending on material and bearing type K_M | 1900 |
| Permissible sliding velocity v min. | 0 m/s |
| Permissible sliding velocity v max. | 2.5 m/s |
| Coefficient of friction μ min. | 0.02 |
| Coefficient of friction μ max. | 0.2 |
| Mass bushing | 0.24 kg |