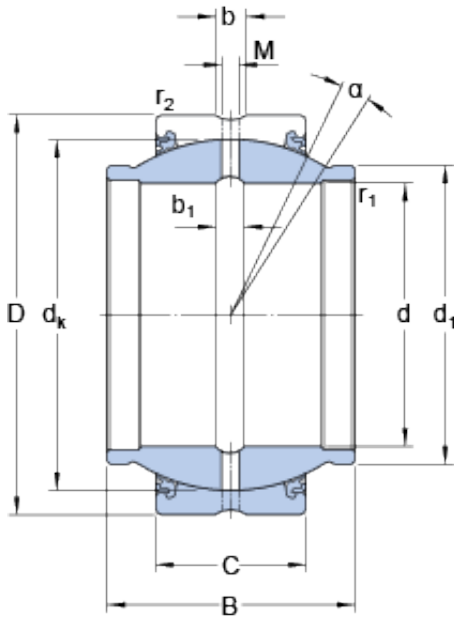




# CSC BEARING GROUP limited

## 57.15 mm x 90.488 mm x 85.725 mm SKF GEZM 204 ES-2LS sliding bearing



GEZM 204 ES-2LS Bearing 2D drawings and 3D CAD models

Bearing No. GEZM 204 ES-2LS

Size	90.488x57.15x85.725 mm
Bore Diameter	90,488 mm
Outer Diameter	57,15 mm
Width	85,725 mm
d	57.15 mm
D	90.488 mm
B	85.725 mm
C	42.85 mm
	5 °
d <sub>k</sub>	82.169 mm
d <sub>1</sub>	70.104 mm
b	5.7 mm
b <sub>1</sub>	5 mm
M	4 mm
r <sub>1</sub> - min.	1 mm
r <sub>2</sub> - min.	1 mm
d <sub>a</sub> - min.	63.1 mm
d <sub>a</sub> - max.	70.1 mm
D <sub>a</sub> - min.	79 mm
D <sub>a</sub> - max.	85.3 mm
r <sub>a</sub> - max.	1 mm
r <sub>b</sub> - max.	1 mm
Basic dynamic load rating - C	280 kN
Basic static load rating - C <sub>0</sub>	850 kN



## CSC BEARING GROUP limited

Specific factor dynamic load - K	100 N/mm <sup>2</sup>
Specific factor static load - K <sub>0</sub>	300 N/mm <sup>2</sup>
Constant - K <sub>M</sub>	330
Lubricant	Regular relubrication – grease
Design (sliding contact surface combination)	Steel/steel
Sealing solution	Triple-lip seals
	5 °
d <sub>k</sub>	82.169 mm
d <sub>1</sub>	70.104 mm
b <sub>1</sub>	5 mm
r <sub>1</sub> min.	1 mm
r <sub>2</sub> min.	1 mm
d <sub>a</sub> min.	63.1 mm
d <sub>a</sub> max.	70.1 mm
D <sub>a</sub> min.	79 mm
D <sub>a</sub> max.	85.3 mm
r <sub>a</sub> max.	1 mm
r <sub>b</sub> max.	1 mm
Basic dynamic load rating C	280 kN
Basic static load rating C <sub>0</sub>	850 kN
Specific dynamic load factor K	100 N/mm <sup>2</sup>
Specific static load factor K <sub>0</sub>	300 N/mm <sup>2</sup>
Material constant K <sub>M</sub>	330
Mass plain bearing	1.65 kg