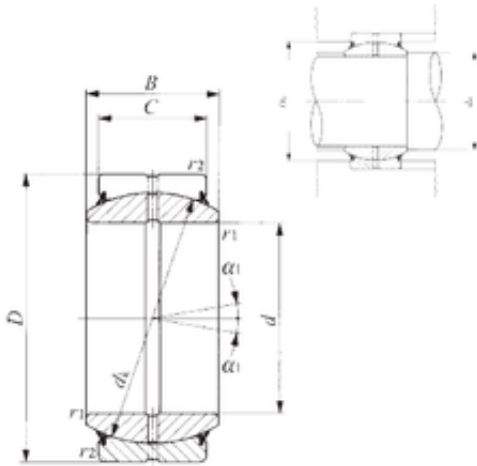




CSC BEARING GROUP limited

80 mm x 120 mm x 55 mm IKO GE 80ES-2RS sliding bearing



Bearing No. GE 80ES-2RS

Size	80x120x55 mm
Bore Diameter	80 mm
Outer Diameter	120 mm
Width	55 mm
d	80 mm
D	120 mm
B	55 mm
C	45 mm
dk	105 mm
r1 min.	1 mm
r2 min.	1 mm
da min.	85,5 mm
da max	89 mm
Da min	114,5 mm
Da max.	103 mm
Angle	4 °
Weight	2,29 Kg
Basic dynamic load rating (C)	463 kN

GE 80ES-2RS Bearing 2D drawings and 3D CAD models