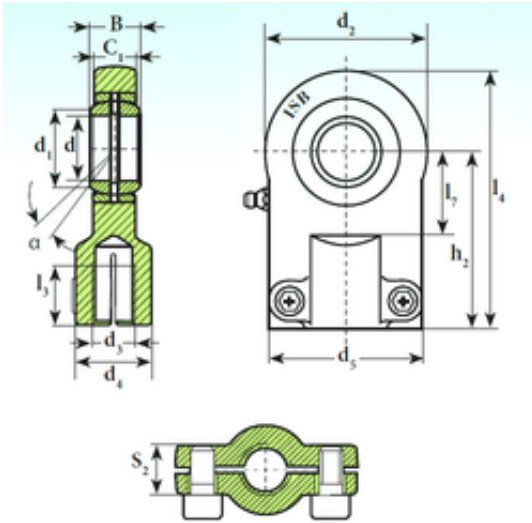




CSC BEARING GROUP limited



ISB TAPR 708 DO sliding bearing

Bearing No. TAPR 708 DO

Bore Diameter	60 mm
d	60 mm
B	44 mm
d1	66,8 mm
d2	160 mm
d4	68 mm
h2	150 mm
l3 min.	57 mm
l4 max.	230 mm
l7 min.	74 mm
C1	38 mm
S2	38 mm
Thread (G)	M42x2
Bolt (G)	M16x40
Angle	6 °
d5	134 r/min
Weight	7,15 Kg
Basic dynamic load rating (C)	245 kN

TAPR 708 DO Bearing 2D drawings and 3D CAD models