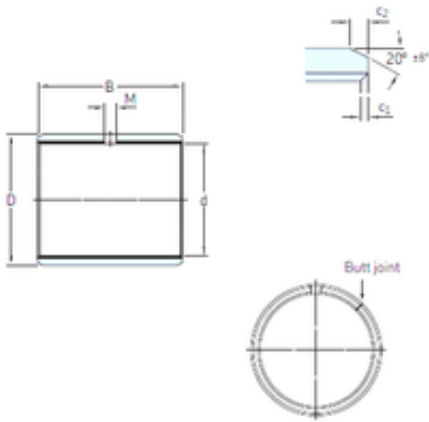




CSC BEARING GROUP limited

300 mm x 305 mm x 50 mm SKF PCM 30030550 E sliding bearing



Bearing No. PCM 30030550 E

Size	300x305x50 mm
Bore Diameter	300 mm
Outer Diameter	305 mm
Width	50 mm
d	300 mm
D	305 mm
B	50 mm
c1 min	0,2 mm
c2 min	1,2 mm
M	– mm
Weight	0,9 Kg
Basic dynamic load rating (C)	1 180 kN
c ₁ min.	0.2 mm
c ₁ max.	1 mm
c ₂ min.	1.2 mm
c ₂ max.	2.4 mm
± 8	20 °
Tolerance shaft	h8
Tolerance housing	H7
Basic dynamic load rating - radial direction C	1180 kN
Basic static load rating - radial direction C ₀	3650 kN
Specific dynamic load factor K	80 N/mm ²
Specific static load factor K ₀	250 N/mm ²

PCM 30030550 E Bearing 2D drawings and 3D CAD models



CSC BEARING GROUP limited

Factor depending on material and bearing type K_M	480
Permissible sliding velocity v min.	0 m/s
Permissible sliding velocity v max.	2 m/s
Coefficient of friction μ min.	0.03
Coefficient of friction μ max.	0.25
Mass bushing	0.9 kg