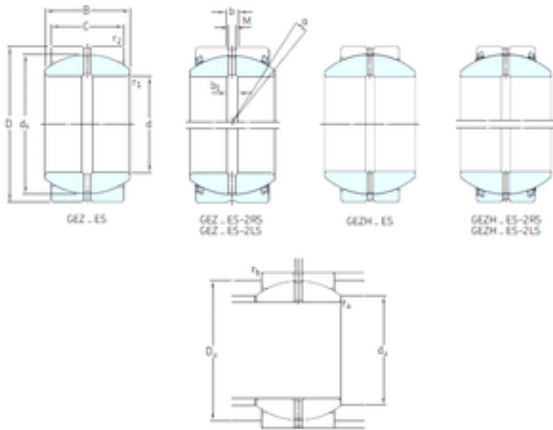




CSC BEARING GROUP limited



114,3 mm x 177,8 mm x 100 mm SKF
GEZ408ES-2LS sliding bearing

Bearing No. GEZ408ES-2LS

GEZ408ES-2LS Bearing 2D drawings and 3D CAD models

Size	114.3x177.8x100 mm
Bore Diameter	114,3 mm
Outer Diameter	177,8 mm
Width	100 mm
d	114,3 mm
D	177,8 mm
B	100 mm
C	85,73 mm
b	11 mm
b1	10 mm
dk	164,465 mm
r1 min.	1 mm
r2 min.	1,1 mm
M	8 mm
da min.	122,5 mm
da max	130,5 mm
Da min	157 mm
Da max.	171 mm
ra max.	1 mm
rb max.	1,1 mm
Angle	6 °
Weight	9,8 Kg
Basic dynamic load rating (C)	1120 kN