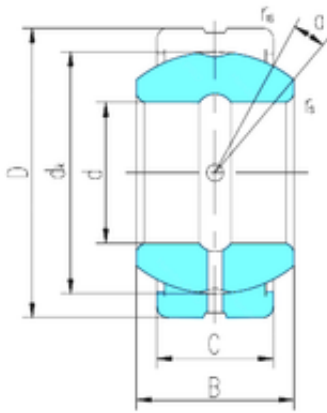




# CSC BEARING GROUP limited

180 mm x 260 mm x 105 mm LS GE180ES-2RS  
sliding bearing



Bearing No. GE180ES-2RS

Size	180x260x105 mm
Bore Diameter	180 mm
Outer Diameter	260 mm
Width	105 mm
d	180 mm
D	260 mm
B	105 mm
C	80 mm
dk	225 mm
r min.	1,1 mm
r1 min.	1,1 mm
Angle	6 °
Weight	18,5 Kg
Basic dynamic load rating (C)	1530 kN

GE180ES-2RS Bearing 2D drawings and 3D CAD models