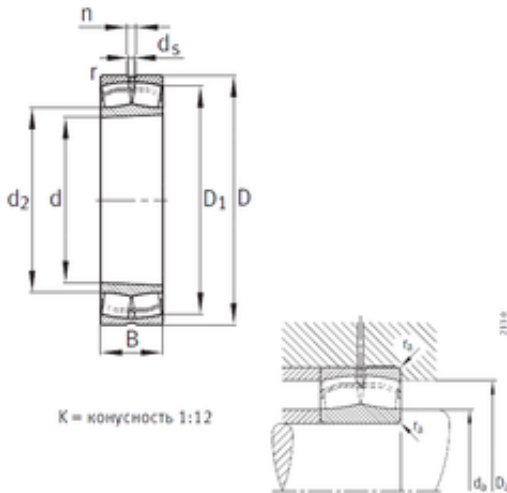




CSC BEARING GROUP limited



160 mm x 340 mm x 114 mm FAG 22332-K-MB
Spherical roller bearing

Bearing No. 22332-K-MB

Size	160x340x114 mm
Bore Diameter	160 mm
Outer Diameter	340 mm
Width	114 mm
d	160 mm
D	340 mm
B	114 mm
C	114 mm
n	17,7 mm
d2	– mm
r min.	4 mm
D1	288,3 mm
da min.	177 mm
Da max.	323 mm
ra max.	3 mm
d5	9,5 r/min
Weight	50,1 Kg
Basic dynamic load rating (C)	1430 kN
Basic static load rating (C0)	1900 kN
Fatigue load limit (Pu)	121
Reference speed	1 490 r/min
Limiting speed	2 000 r/min
Calculation factor (e)	0,37
Calculation factor (Y0)	1,76
Calculation factor (Y1)	1,8

22332-K-MB Bearing 2D drawings and 3D CAD models



CSC BEARING GROUP limited