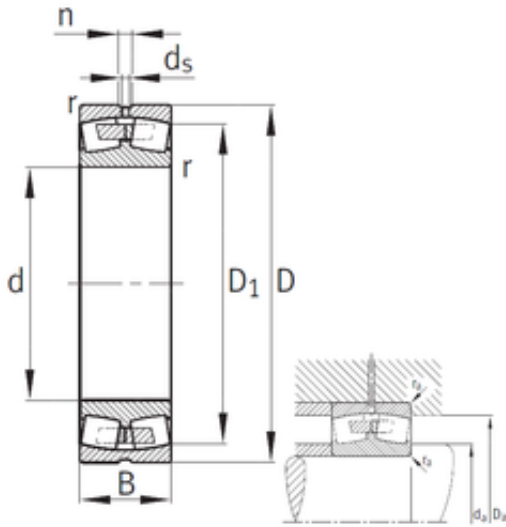




# CSC BEARING GROUP limited



260 mm x 480 mm x 174 mm FAG 23252-B-MB  
Spherical roller bearing

Bearing No. 23252-B-MB

23252-B-MB Bearing 2D drawings and 3D CAD models

Size	260x480x174 mm
Bore Diameter	260 mm
Outer Diameter	480 mm
Width	174 mm
d	260 mm
D	480 mm
B	174 mm
C	174 mm
n	23,5 mm
r min.	5 mm
D1	405,4 mm
da min.	280 mm
Da max.	460 mm
ra max.	4 mm
d5	12,5 r/min
Weight	144 Kg
Basic dynamic load rating (C)	2900 kN
Basic static load rating (C0)	4900 kN
Fatigue load limit (Pu)	270
Reference speed	660 r/min
Limiting speed	1 100 r/min
Calculation factor (e)	0,37
Calculation factor (Y0)	1,76
Calculation factor (Y1)	1,8