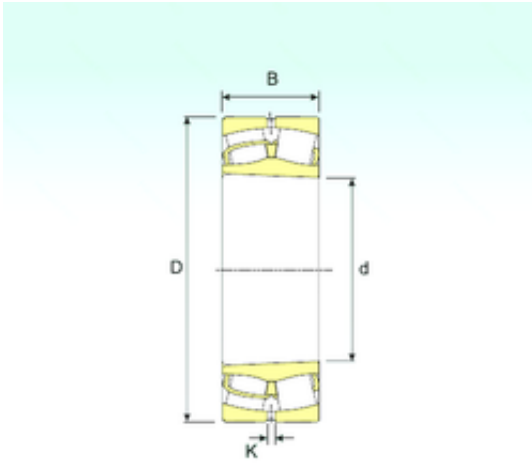




CSC BEARING GROUP limited



23124 K Bearing 2D drawings and 3D CAD models

120 mm x 200 mm x 62 mm ISB 23124 K
Spherical roller bearing

Bearing No. 23124 K

Size	120x200x62 mm
Bore Diameter	120 mm
Outer Diameter	200 mm
Width	62 mm
d	120 mm
D	200 mm
B	62 mm
C	62 mm
K	4,5 mm
Weight	8 Kg
Basic dynamic load rating (C)	500 kN
Basic static load rating (C0)	681 kN
(Grease) Lubrication Speed	2601 r/min