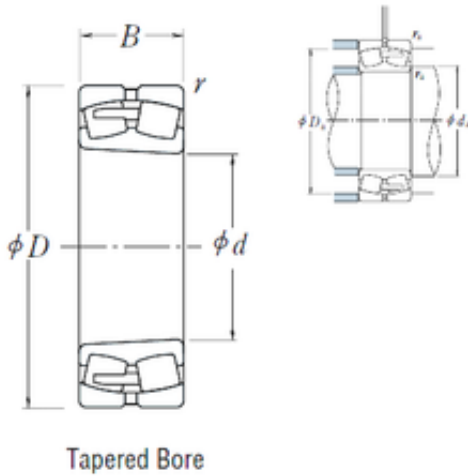




# CSC BEARING GROUP limited

## 240 mm x 440 mm x 160 mm NSK 23248CAKE4 Spherical roller bearing

Bearing No. 23248CAKE4



23248CAKE4 Bearing 2D drawings and 3D CAD models

Size	240x440x160 mm
Bore Diameter	240 mm
Outer Diameter	440 mm
Width	160 mm
d	240 mm
D	440 mm
B	160 mm
C	160 mm
r min.	4 mm
da min.	258 mm
Da min	372 mm
Da max.	422 mm
ra max.	3 mm
Weight	106 Kg
Basic dynamic load rating (C)	2440 kN
Basic static load rating (C0)	4050 kN
(Grease) Lubrication Speed	630 r/min
(Oil) Lubrication Speed	800 r/min
Calculation factor (e)	0,37
Calculation factor (Y0)	1,8
Calculation factor (Y2)	2,7