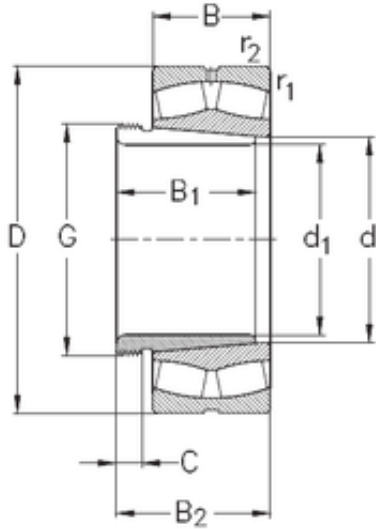




# CSC BEARING GROUP limited



## 220 mm x 400 mm x 144 mm NKE 23244-K-MB-W33+AH2344 Spherical roller bearing

Bearing No. 23244-K-MB-W33+AH2344

23244-K-MB-W33+AH2344 Bearing 2D drawings and 3D CAD models

Size	220x400x144 mm
Bore Diameter	220 mm
Outer Diameter	400 mm
Width	144 mm
d	220 mm
d1	200 mm
D	400 mm
B	144 mm
C	144 mm
r1 min.	4 mm
r2 min.	4 mm
B1	181 mm
B2	189 mm
C	30 mm
Thread (G)	Tr 240x4
Weight	108,5 Kg
Basic dynamic load rating (C)	2040 kN
Basic static load rating (C0)	3290 kN
Limiting speed	1500 r/min
Calculation factor (e)	0,36
Calculation factor (Y0)	1,8
Calculation factor (Y1)	1,9