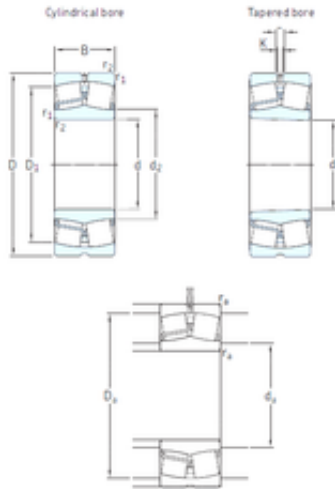




# CSC BEARING GROUP limited



45 mm x 85 mm x 23 mm SKF E2.22209  
Spherical roller bearing

Bearing No. E2.22209

E2.22209 Bearing 2D drawings and 3D CAD models

Size	45x85x23 mm
Bore Diameter	45 mm
Outer Diameter	85 mm
Width	23 mm
d	45 mm
D	85 mm
B	23 mm
C	23 mm
b	5,5 mm
d2	54,4 mm
r1 min.	1,1 mm
r2 min.	1,1 mm
D1	74,4 mm
K	3 mm
da min.	52 mm
Da max.	78 mm
ra max.	1 mm
Weight	0,58 Kg
Basic dynamic load rating (C)	96,5 kN
Basic static load rating (C0)	93 kN
Fatigue load limit (Pu)	9,65
Reference speed	11000 r/min
Limiting speed	10000 r/min
Calculation factor (e)	0,26
Calculation factor (Y0)	2,5



## CSC BEARING GROUP limited

Calculation factor (Y1)	2,6
Category	Bearings
Inventory	0.0
Manufacturer Name	SKF
Minimum Buy Quantity	N/A
Weight / Kilogram	0
Product Group	B04311