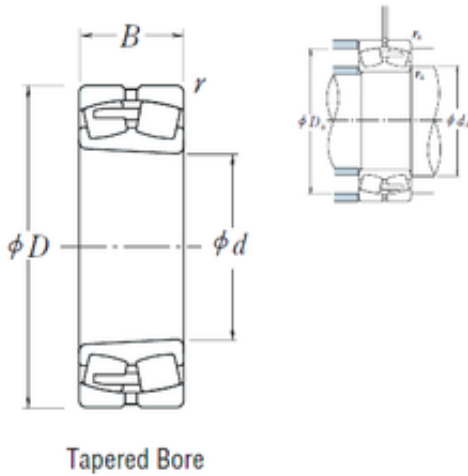




CSC BEARING GROUP limited

950 mm x 1360 mm x 300 mm NSK 230/950CAKE4 Spherical roller bearing

Bearing No. 230/950CAKE4



230/950CAKE4 Bearing 2D drawings and 3D CAD models

Size	950x1360x300 mm
Bore Diameter	950 mm
Outer Diameter	1360 mm
Width	300 mm
d	950 mm
D	1360 mm
B	300 mm
C	300 mm
r min.	7,5 mm
da min.	986 mm
Da min	1241 mm
Da max.	1324 mm
ra max.	6 mm
Weight	1400 Kg
Basic dynamic load rating (C)	11300 kN
Basic static load rating (C0)	26500 kN
(Grease) Lubrication Speed	150 r/min
(Oil) Lubrication Speed	190 r/min
Calculation factor (e)	0,21
Calculation factor (Y0)	3,2
Calculation factor (Y2)	4,8