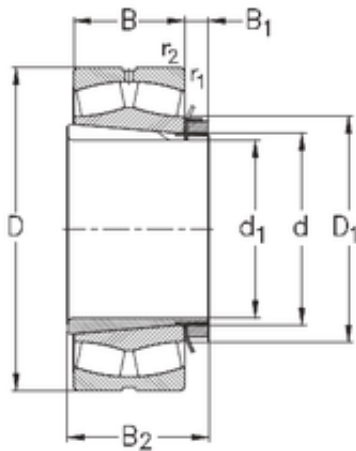




CSC BEARING GROUP limited

300 mm x 500 mm x 160 mm NKE 23160-K-MB-W33+OH3160-H Spherical roller bearing

Bearing No. 23160-K-MB-W33+OH3160-H



23160-K-MB-W33+OH3160-H Bearing 2D drawings and 3D CAD models

Size	300x500x160 mm
Bore Diameter	300 mm
Outer Diameter	500 mm
Width	160 mm
d	300 mm
d1	280 mm
D	500 mm
B	160 mm
C	160 mm
r1 min.	5 mm
r2 min.	5 mm
B1	40 mm
B2	208 mm
D1	380 mm
Weight	158 Kg
Basic dynamic load rating (C)	2560 kN
Basic static load rating (C0)	4490 kN
Limiting speed	1200 r/min
Calculation factor (e)	0,32
Calculation factor (Y0)	2
Calculation factor (Y1)	2,1