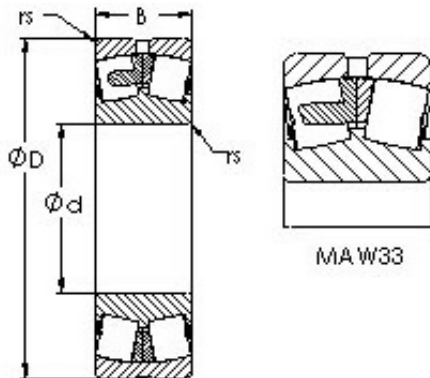




# CSC BEARING GROUP limited



## AST 22313MAW502 Spherical roller bearing

Bearing No. 22313MAW502

Size	65x140x48 mm
Bore Diameter	65 mm
Outer Diameter	140 mm
Width	48 mm
Bearing Type	straight bore
Bore Dia (d)	65.0000
Outer Dia (D)	140.0000
Width (B)	48.0000
Radius (min) (rs)	2.100
Dynamic Load Rating (Cr)	280,000
Static Load Rating (Cor)	330,000
Max Speed (Grease) (X1000 RPM)	2
Max Speed (Oil) (X1000 RPM)	3
Weight (g)	2,560.00
Material	52100 Chrome steel, or equivalent

22313MAW502 Bearing 2D drawings and 3D CAD models